

# ROYSON ENGINEERING COMPANY

5-CTV FLAT BOTTOM BOWL VIBRATORY FINISHER NO SEPARATION  
 130 N. PENN ST. HATBORO, PA. 19040 PH# 215-675-2800 FAX#215-675-3035  
 BULLETIN #442



## 5-CTV



**CONSOLE**

**UNLOAD DOOR**

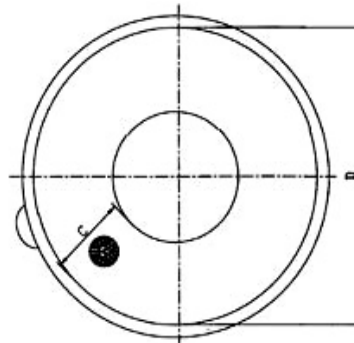
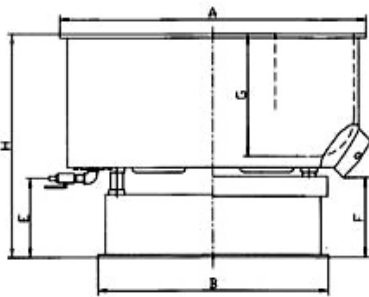
**DRAIN**

**SOUND HOOD**



### FEATURES:

- CONTROL PANEL  
VARIABLE SPEED
- 2 HP,  
208/240/460/3/60
- MEDIA UNLOAD DOOR
- POP OUT REMOVABLE DRAIN
- URETHANE TUB LINER
- COMPOUND PUMP
- PNEUMATIC SOUND HOOD



### DIMENSIONS

INCHES	A	B	C	D	E	F	G	H	WEIGHT
5-CTV	43.6	36	10.8	39.7	12	12	15	34	950LB.

COPYRIGHT ROYSON 2010